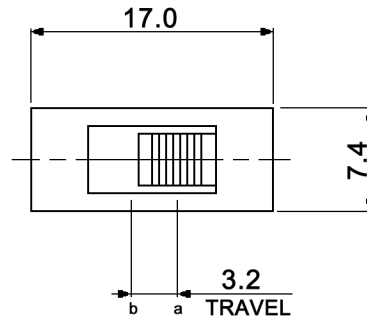
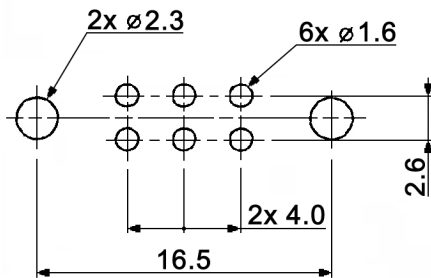


HOLE LAYOUT ± 0.05



Specifications:

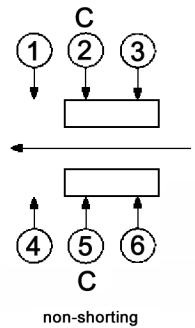
- Contact rating: 0.3A, 30V DC
- Contact resistance: 30mOhm max.
- Insulation resistance: 100MOhm min. at 500V DC for 1 minute
- Dielectric strength: 500V AC (50/60Hz, 2mA) for 1 minute
- Operating temperature: -20°C to +85°C
- Mechanical life: 10 000 cycles
- Operating force: 250 +/-100gf
- Soldering conditions: no pre-heat

Material:

- wave soldering: 260 +/-5°C, 5 +/-1sec.
- Terminal: brass strip, silver plated
- Base: phenolic resin, natural
- Contact plate: brass strip, silver plated
- Spring: SWC, temper
- Frame: steel, nickel plated
- Slider: POM, black

CIRCUIT DIAGRAM

C: COMMON PIN
BOTTOM VIEW



Tolerances: up to 10: ±0.2mm above 10-50: ±0.3mm	Date	Name
	02/11	dr

MFP 201 N

knitter-switch

30 23 01

Page

1/1

Modifications	Date	Name
---------------	------	------